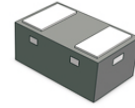


## CPDUC24VEU-HF

### High-Reliability and High-Performance

### RoHS Device

### Halogen Free



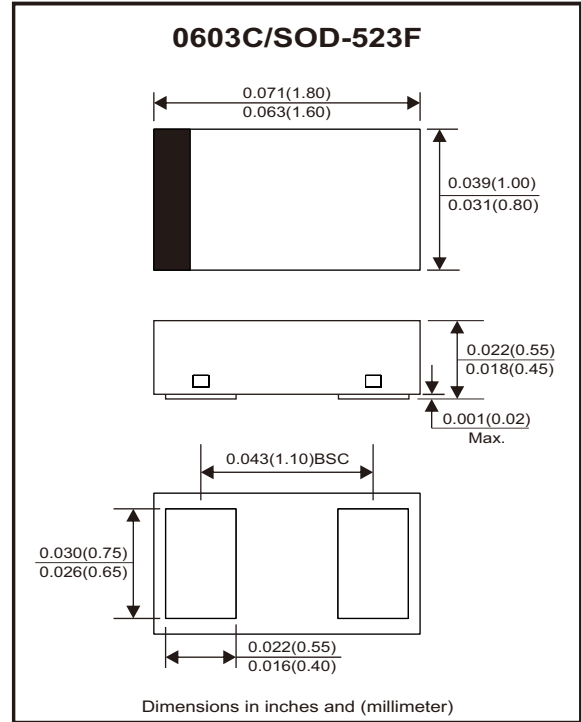
### Features

- Uni-directional ESD protection.
- Surface mount package.
- High component density.

### Mechanical data

- Case: 0603C/SOD-523F package, molded plastic.
- Terminals: Gold plated, solderable per MIL-STD-750, method 2026.
- Polarity: Indicated by cathode band.
- Mounting position: Any.

### Circuit Diagram



### Maximum Rating (at TA=25°C unless otherwise noted)

Parameter	Conditions	Symbol	Value	Unit
Peak pulse power	$T_P = 8/20\mu s$	$P_{PP}$	132	W
Peak pulse current	$T_P = 8/20\mu s$	$I_{PP}$	3	A
ESD capability	IEC 61000-4-2(air) IEC 61000-4-2(contact)	ESD	±30	kV
Operating temperature range		$T_j$	-55 to +125	°C
Storage temperature range		$T_{STG}$	-55 to +150	°C

### Electrical Characteristics (at TA=25°C unless otherwise noted)

Parameter	Conditions	Symbol	Min	Typ	Max	Unit
Working peak reverse voltage		$V_{RWM}$			24	V
Forward voltage	$I_F = 10mA$	$V_F$			1.2	V
Breakdown voltage	$I_T = 1mA$	$V_{BR}$	26.5		32	V
Reverse leakage current	$V_{RWM} = 24V$	$I_R$			100	nA
Clamping voltage	$I_{PP} = 1A, T_P = 8/20\mu s$	$V_C$		33	35	V
	$I_{PP} = 3A, T_P = 8/20\mu s$	$V_C$		39	44	
Junction capacitance	$V_R = 0V, f = 1MHz$	$C_J$			35	pF

## Typical Rating and Characteristic Curves (CPDUC24VEU-HF)

Fig.1 - 8/20 $\mu$ s Peak Pulse Current Waveform Acc. IEC 61000-4-5

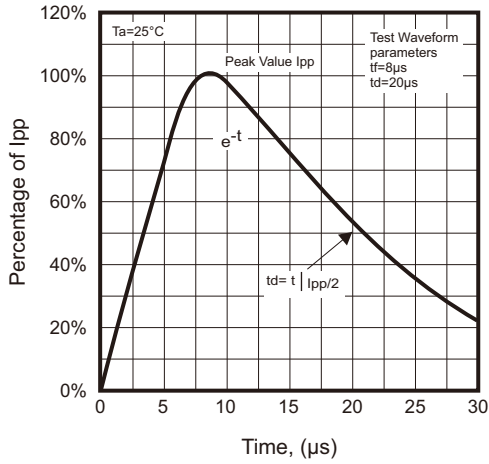


Fig.2 - Power Rating Derating Curve

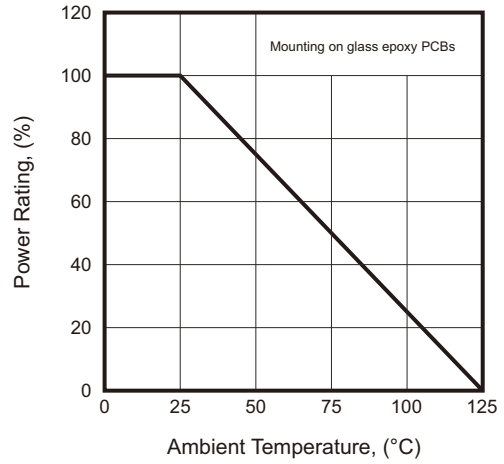


Fig.3 - Typical Clamping Voltage vs. Peak Pulse Current

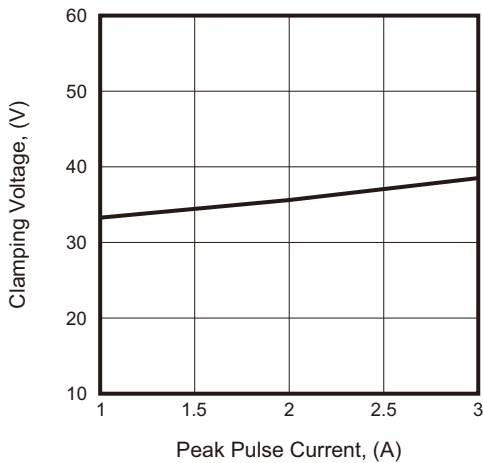


Fig.4 - Typical Capacitance Between Terminals Characteristics

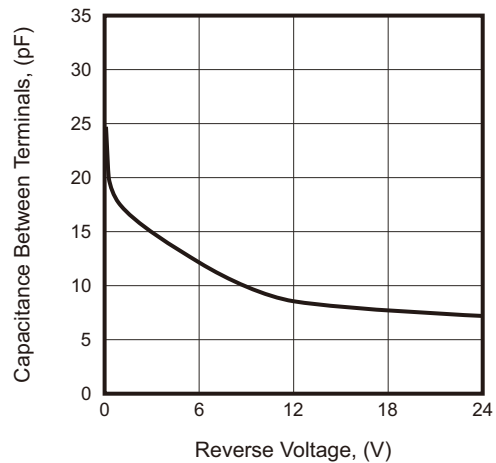
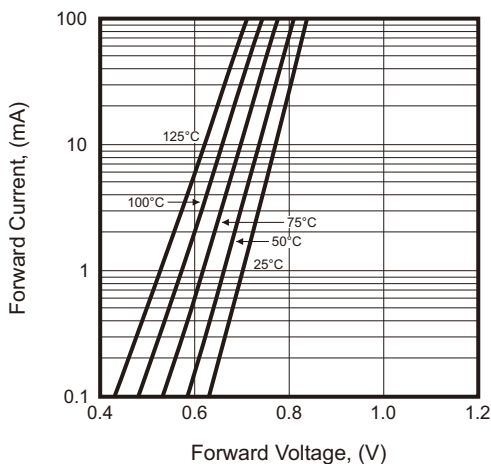
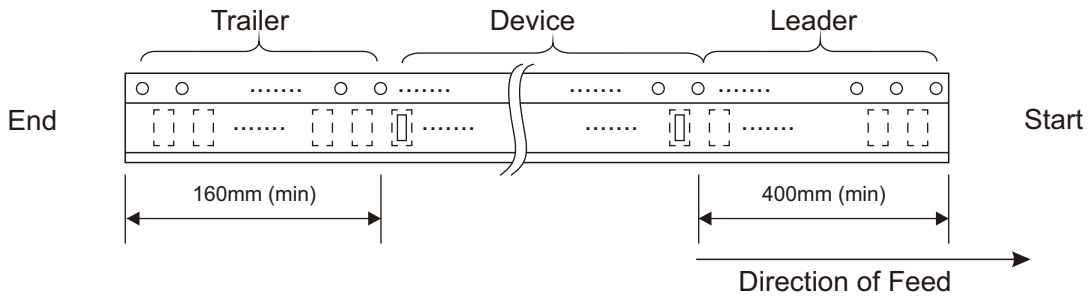
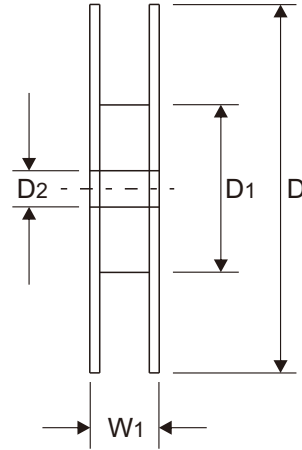
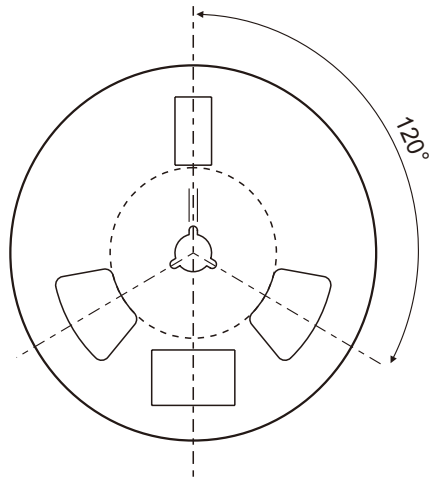
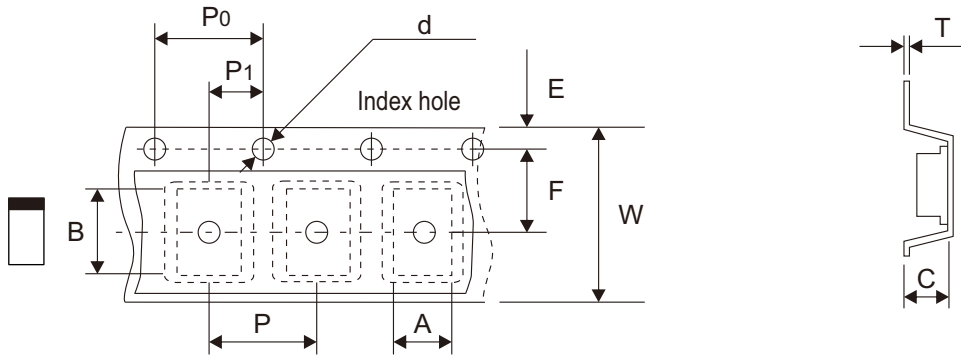


Fig.5 - Forward Characteristic



## Reel Taping Specification



0603C (SOD-523F)	SYMBOL	A	B	C	d	D	D1	D2
	(mm)	1.05 ± 0.05	1.96 ± 0.05	0.57 ± 0.05	1.50 + 0.10 - 0.00	178.00 ± 1.00	60.00 ± 0.50	13.50 ± 0.20
	(inch)	0.041 ± 0.002	0.077 ± 0.002	0.022 ± 0.002	0.059 + 0.004 - 0.000	7.008 ± 0.039	2.362 ± 0.020	0.531 ± 0.008

0603C (SOD-523F)	SYMBOL	E	F	P	P0	P1	T	W	W1
	(mm)	1.75 ± 0.10	3.50 ± 0.05	4.00 ± 0.10	4.00 ± 0.05	2.00 ± 0.05	0.20 ± 0.03	8.00 ± 0.20	12.00 + 0.50 - 0.00
	(inch)	0.069 ± 0.004	0.138 ± 0.002	0.157 ± 0.004	0.157 ± 0.002	0.079 ± 0.002	0.008 ± 0.001	0.315 ± 0.008	0.472 + 0.020 - 0.000

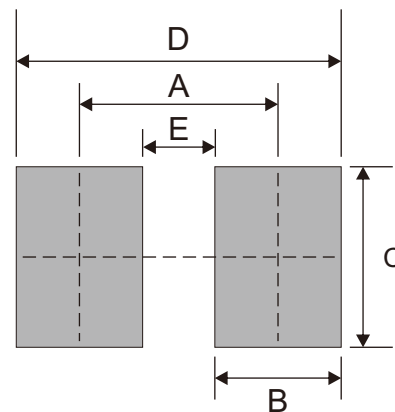
## Marking Code

Part Number	Marking Code
CPDUC24VEU-HF	E24



## Suggested P.C.B. PAD Layout

SIZE	0603C/SOD-523F	
	(mm)	(inch)
A	1.10	0.043
B	0.70	0.028
C	1.00	0.039
D	1.80	0.071
E	0.40	0.016



## Standard Packaging

Case Type	REEL PACK	
	REEL ( pcs )	Reel Size (inch)
0603C/SOD-523F	4,000	7